



LectroCount LCR 600™ Electronic Register

Full Screen Electronic Registration with POS Capabilities



Benefits

- Proven long service life
- Increased accuracy with multi-point calibration
- Reliable in harsh environments
- Reduced delivery times and billing errors with priced and taxed delivery tickets with POS
- Reduce time to post and shorten cash cycle with POS
- Industry-specific applications: POS and FlightConnect

Features

- Weights & Measures custody transfer (product delivery and ticket generation)
- Metrological data collection
- 16 product calibrations *with POS*
- Multi-point and Single-point calibration
- Four delivery screens
- Volume, flow rate, and other key values visible during delivery
- Printed shift and diagnostic tickets
- Cash and volume discounting *with POS*
- Multiple, complex tax structures *with POS*
- Priced and taxed delivery tickets *with POS*
- Miscellaneous charges *with POS*
- In-field configuration and setup
- Delivery quantity and totalizer
- Security settings
- No-flow timer
- Two auxiliary outputs (settings include: *On, Off, On During Delivery, Monitor Flow Rate, Toggle Flowrate, and Flow Direction*)
- RS232/RS485 communication
- Electronic temperature volume compensation (ETVC)
- Electronic presetting by volume and price *price presetting with POS only*
- Electronic valve control
- Electronic air or vapor elimination
- NEMA 4X enclosure
- -40 to 158 °F (-40 to 70 °C) temperature range
- Available in Class I, Div 2 enclosure, Groups C & D
- Easy-to-use RUN, STOP, PRINT, SHIFT PRINT red rotary selector switch and alphanumeric keypad
- Compatible with most flowmeters (accepts input from PD, Amplified Turbine, Electromagnetic and Mass flowmeters)

General Information

Liquid Controls' LectroCount LCR 600 is a microprocessor-based electronic meter register. Its primary functions include configuring the meter system to the properties of the metered liquid, interfacing with the electronic components of the meter system (and external components such as pumps, injectors, and shutdown devices), and performing Weights & Measures approved custody transfer actions.

The LCR 600 is equipped with a large display, user-friendly interface, increased functionality and a large platform that can hold industry specific custody transfer applications, such as Point-of-Sale (POS), for customer-direct fuel delivery, and FlightConnect, for aviation fueling.

The LCR 600 can control a meter system as a stand-alone unit, or it can be used as a slave to a host controller such as a process controller or an in-cab data management system. It is a self-contained unit. All operation, setup, and configuration functions can be carried out using the red selector switch and the alphanumeric keypad. No lap pads, personal computers, or other data entry devices are required.



LectroCount LCR 600 Electronic Register

Specifications

Materials of Construction

Aluminum Alloy ADC12
Corro-Coat PE 74-141 Polyester Powder Coat

Weight

8.75 lbs (4 kg)

Display Elements

Liquid crystal display, 320 X 240 pixels

Cable Entry

1/2" NPT (5)
3/4" NPT (2)

Temperature Rating

-40 to 158 °F (-40 to 70 °C)

Input Voltage

9 to 28 VDC, 4.5 A maximum (including solenoid valves and display heater)

Pulse Output

5 to 28 V peak to peak, 7500 Hz maximum

Scale Pulse Output

150 mA sinking capability

Electrical Protection

5 A Fuse

Communications

RS-232: EIA-232E standard
RS-485: SAE J1708 standard

Auxiliary 1 Output

1 A sinking capability

Auxiliary 2 Output

150 mA sinking capability

Solenoid 1 Output

10.2 to 27.2 VDC
1 A maximum

Solenoid 2 Output

10.2 to 27.2 VDC
1 A maximum

Solenoid 3 Output

10.2 to 27.2 VDC
1 A maximum

Optical Sensor

10 to 28 VDC
0.5 A maximum

RTD Temperature Probe

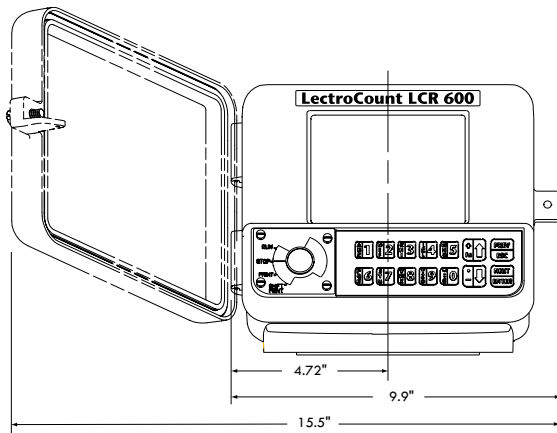
4 wire platinum sensor
100 Ω resistance at 0 °C
138.5 Ω resistance at 100 °C

Remote Electronic Display

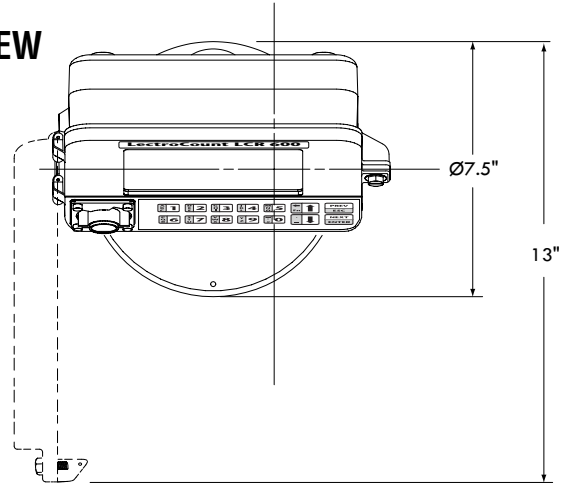
1 A sinking capability

Dimensions

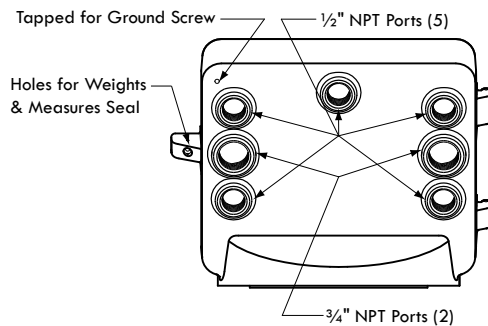
FRONT VIEW



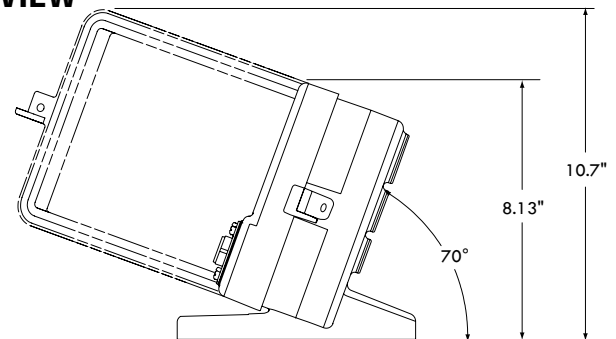
TOP VIEW



REAR VIEW



SIDE VIEW



Consult the factory when certified engineering drawings are required.
Dimensions shown are not suitable for construction or modifications



LectroCount LCR 600 Electronic Register

